

FOR THE MEETING OF: November 19, 2020
AGENDA ITEM: 5.a

TO: Historic Landmarks Commission

THROUGH: Lisa Anderson-Ogilvie, AICP, Deputy Community Development Director and Planning Administrator

FROM: Kimberli Fitzgerald, AICP, Historic Preservation Officer

HEARING DATE: November 19, 2020

CASE NO.: Historic Design Review Case No. HIS20-27

APPLICATION SUMMARY: A proposal to construct a Vietnam War Memorial on the Oregon State Capitol grounds.

LOCATION: 900 Court Street NE

REQUEST Major Historic Design Review of a proposal to construct a Vietnam War Memorial on the Oregon State Capitol grounds, individually listed on the National Register, located at 900 Court Street NE (Marion County tax lot 073W27AA00200).

APPLICANT(S): Mike Abbate on behalf of Stephen Bates, Vietnam War Memorial Fund, and Chris Havel, Oregon Parks and Recreation Department.

APPROVAL CRITERIA: Salem Revised Code (SRC) Chapter 230
230.065 General Guidelines for Historic Contributing Resources

RECOMMENDATION: **APPROVE** with the following **CONDITION:**

Condition 1: Should the applicant proceed with siting the Gold Star Family Memorial within the location of the existing Parade of Animals sculptures, the applicant shall ensure that the Parade of Animals sculptures are relocated to another location on the Capitol Grounds. The applicant shall submit a site plan showing the proposed new location of the sculptures for historic design review approval prior to issuance of building permits for the Vietnam War Memorial.

BACKGROUND

On October 1, 2020, the applicant submitted materials for a Major Historic Design Review for constructing a Vietnam War Memorial on the Oregon State Capitol grounds. Supplemental materials were submitted, and the application was deemed complete for processing on October 30, 2020.

Notice of public hearing was sent by mail to surrounding property owners and tenants within 250 feet of the property pursuant to Salem Revised Code (SRC) requirements on October 30, 2020 (**Attachment A**). Public hearing notice was also posted on the property in accordance with the posting provision outlined in SRC 300.620. The City of Salem Historic Landmarks Commission will hold a virtual public hearing for the case on November 19, 2020 at 5:30 p.m.

The state-mandated 120-day deadline to issue a final local decision, including any local appeals in this case is February 27, 2021, unless an extension is granted by the applicant.

PROPOSAL

The applicant is proposing to construct a multicomponent memorial dedicated to Oregon's Vietnam Veterans located at the southwest corner of the Oregon State Capitol's Willson Park (**Attachment B**). The overall development area is approximately 155' by 180' in area (.64 acres) and includes the following features:

1. Memorial monument – black granite wall comprised of columns ranging in size from 3' to 8';
2. Brothers benches – four granite benches 2' wide 6' long and 18" high;
3. MIA/POW stations – 24" x 36" engraved granite plaques (2) embedded in stone wall in alcove along walkway;
4. Nurses Station – 10 long x 6' wide ; 5' high – bronze sculpture on raised granite pedestal;
5. Honor Station; wetland feature (23' x 32');
6. A Soldiers Return – 7.5' tall bronze sculpture;
7. Meeting and gathering station; paved plaza (80' long x 40' wide);
8. Persian Gulf War Memorial – 24" x 36" engraved granite plaque;
9. Gold Star Families Memorial Monument- Black granite 16' long x 6' tall (arc).
*The proposed location of this component will be determined at a later date by OPRD. Two alternative locations (10A/10B) are being considered, the preferred location (10A), shown on the plan, would require the relocation of the Parade of Animals Sculpture.
10. Purple Heart State Plaque – 24" x 36" engraved Granite Plaque embedded in the stone wall along walkway

The Memorial will be comprised of bioswale (passive water feature), landscaped lawns, bushes, and trees with stone accent paving, concrete walkways and wooden boardwalks. A 30" tall x 36" wide Oregon basalt wall will be located within the Memorial area, a portion of which is abutted by Bamboo plantings.

In order to construct the proposed Memorial three trees with a diameter of 10" or more will need to be removed along with 6700 square feet of existing concrete paving and two existing wooden benches.

SUMMARY OF RECORD

The following items are submitted to the record and are available upon request: All materials submitted by the applicant and any materials and comments from public agencies, City departments, neighborhood associations, and the public; and all documents referenced in this report.

APPLICANT'S STATEMENT

A request for historic design review must be supported by proof that it conforms to all applicable criteria imposed by the Salem Revised Code. The applicants submitted a written statement, which is included in its entirety as **Attachment C** in this staff report.

Staff utilized the information from the applicant's statements to evaluate the applicant's proposal and to compose the facts and findings within the staff report. Salem Revised Code (SRC) **230.065 General Guidelines for Historic Contributing Resources** are the applicable criteria for evaluation of this proposal.

FACTS & FINDINGS

1. Historic Designation

Under Salem Revised Code (SRC) Chapter 230, no development permit for a designated historic resource shall be issued without the approval of the Historic Landmarks Commission (HLC). The HLC shall approve, conditionally approve, or deny the application on the basis of the project's conformity with the criteria. Conditions of approval, if any, shall be limited to project modifications required to meet the applicable criteria.

According to SRC 230.020(f), historic design review approval shall be granted if the application satisfies the applicable standards set forth in Chapter 230. The HLC shall render its decision supported by findings that explain conformance or lack thereof with relevant design standards, state the facts relied upon in rendering the decision, and explain justification for the decision.

2. Historic Significance

According to nomination documents the Oregon State Capitol was constructed between 1936 and 1938 and individually listed on the National Register of Historic Places in 1988. Willson Park, to the west of the Capitol Building, was a city park from 1853 to 1965 when it officially became part of the Capitol grounds. The park is named after William H. Willson, preacher, physician, and founder of Salem who donated the land for the Capitol along with the surrounding land. SRC 230 has identified the following features as significant within Willson Park (per Table 230-3): Breyman Fountain; Waite Fountain, Walk of Flags, Liberty Bell Replica, Gazebo, Parade of Animals Sculpture, Douglas Fir Tree (seed rode aboard Apollo 14), Capitol Beaver Family Sculpture (**Attachment C**). In 2011, the HLC approved the installation of a WWII Monument at the

northwestern corner of Willson Park (HIS11-27), with modifications approved in 2012 (HIS11-27MOD).

3. Neighborhood and Citizen Comments

As a state land, the subject property is not located within any neighborhood association boundaries but is adjacent to the boundaries of the CANDO neighborhood association. Notification of the public hearing was sent to the neighborhood association, and surrounding property owners and tenants within 250 feet of the property pursuant to Salem Revised Code (SRC) requirements on October 30, 2020. Notice of public hearing was also posted on the subject property. At the time of writing this staff report, no comments were received from the neighborhood association or from adjoining property owners.

4. City Department and Public Agency Comments

The Planning Division has indicated that under the current sign code, a sign variance will be required for the "A Soldiers Return" statue and the Memorial monument. Class 2 Site Plan Review will also be required which will include an evaluation of the proposed tree removals, walls and fencing. The Building and Safety Division indicates that the applicant must obtain required building permits.

The Oregon State Parks and Recreation Department's (OPRD) Major Memorial Application Review Committee has reviewed the proposal, and further consultation is required to resolve design issues related to the location of the Gold Star Families Monument component of the Memorial. The Capitol Planning Commission reviewed and approved the proposal on November 5, 2020.

5. Historic Design Review

SRC Chapter 230.065 specifies the standards and guidelines applicable to this project. The applicant is proposing to construct a multi-component memorial comprising the installation of a black granite Memorial wall with columns ranging in height from 3'-8'; four granite benches, two bronze sculptures and four granite engraved plaques embedded within a 30" high basalt stone wall surrounding a central plaza and bioswale (**Attachment C**). Historic Landmarks Commission staff reviewed the project proposal and has the following findings for the applicable guidelines.

FINDINGS

Criteria 230.065 General Guidelines for Historic Contributing Resources

(a) Except as otherwise provided in this Chapter, the property shall be used for its historic purpose, or for a similar purpose that will not alter street access, landscape design, entrance(s), height, footprint, fenestration, or massing.

Finding: The applicant is proposing to retain the original use of this property as a public park. While the proposal will result in an alteration of the landscape features surrounding the Oregon State Capitol Building, the street access, height, footprint and massing of the primary resource on the site will not be altered as a result of this proposal. Staff recommends that the HLC find that this guideline has been met.

(b) Historic materials, finishes and distinctive features shall, when possible, be preserved and repaired according to historic preservation methods, rather than restored.

Finding: Staff recommends that the HLC find that there are no historic materials or distinctive features original to the Oregon State Capitol or site proposed for removal, reconstruction, or repair and that Guideline 230.065 (b) is not applicable to the evaluation of this proposal.

(c) Distinctive stylistic features or examples of skilled craftsmanship significance shall be treated with sensitivity.

Finding: Staff recommends that the HLC find that there are no distinctive stylistic features proposed for removal, reconstruction, or repair and Guideline 230.065 (c) does not apply to the evaluation of this proposal.

(d) Historic features shall be restored or reconstructed only when supported by physical or photographic evidence.

Finding: Staff recommends that the HLC find that the applicant is not proposing to restore or reconstruct any features based upon physical or photographic evidence and that Guideline 230.065 (d) is not applicable to the evaluation of this proposal.

(e) Changes that have taken place to a historic resource over the course of time are evidence of the history and development of a historic resource and its environment, and should be recognized and respected. These changes may have acquired significance in their own right, and this significance should be recognized and respected.

Finding: The applicant's proposal includes installation of the Gold Star Families Memorial (GSFM), with their preferred installation at the current location of the Parade of Animals. While not a historic feature of Willson Park, this outdoor bronze sculpture, designed by Peter Helzer, was installed in 1991 and is comprised of three groups of animals playing musical instruments. The second alternative proposed location for the Gold Star Families Memorial (10B), along the north-south path that links the WWI Memorial and the proposed Vietnam War Memorial, will not adversely impact any significant or character defining features within Willson Park and therefore staff recommends that the HLC find that the SRC 230.065(e) has been met if the applicant chooses this location for the installation of this component of the Vietnam War Memorial. However, the preferred installation alternative for the GSFM component (10A) would result in the removal of these sculptures that are evidence of the history and development of Willson Park over time and their integrity should

be respected. Therefore staff recommends that should the HLC approve the preferred location (10A) of the Gold Star Families Memorial, the HLC should adopt the following CONDITION in order to ensure that SRC 230.065 (e) has been met:

Condition 1: Should the applicant proceed with siting the Gold Star Family Memorial within the location of the existing Parade of Animals sculptures, the applicant shall ensure that the Parade of Animals sculptures are relocated to another location on the Capitol Grounds. The applicant shall submit a site plan showing the proposed new location of the sculptures for historic design review approval prior to issuance of building permits for the Vietnam War Memorial.

(f) Additions and alterations to a historic resource shall be designed and constructed to minimize changes to the historic resource.

Finding: The applicant is proposing to remove trees, existing concrete paving and several existing benches in order to construct the new Vietnam War Memorial. However, a majority of the existing trees will be retained, along with open lawns and associated landscaping. No significant historic features within Willson Park have been proposed for removal or alteration. Staff recommends that the HLC find that the proposal has been designed to minimize changes to significant historic features within Willson Park, and that SRC 230.065(f) has been met.

(g) Additions and alterations shall be constructed with the least possible loss of historic materials and so that significant features are not obscured, damaged, or destroyed.

Finding: The applicant's proposal design is intended to complement the WWII Memorial on the northwestern corner of Willson Park. The proposed multi-component Vietnam War Memorial utilizes materials already existing within the park, including black granite, bronze and basalt stone. The scale of the Memorial is compatible with the existing significant features within Willson Park, with the height of the primary Memorial Monument columns and sculptures not exceeding eight feet in height. Staff recommends that the HLC find that no significant historic features of the Willson Park or the Capitol Building will be obscured, damaged or destroyed by the proposal and that SRC 230.065(g) has been met.

(h) Structural deficiencies in a historic resource shall be corrected without visually changing the composition, design, texture or other visual qualities.

Finding: The applicant's proposal is not intended to correct the structural deficiencies. Staff recommends that the HLC find that Guideline 230.065 (h) is not applicable to the evaluation of this proposal.

(i) Excavation or re-grading shall not be allowed adjacent to or within the site of a historic resource which could cause the foundation to settle, shift, or fail, or have a similar effect on adjacent historic resources.

Finding: While the proposal will include a minimal amount of excavation and grading as part of the demolition of the existing concrete walkways and preparation for the installation of the new plaza and walkways, this work is a significant distance away from the Capitol Building's foundation and therefore does not have the potential to adversely affect the integrity of its foundation. Staff recommends that the HLC find that Guideline 230.065 (i) has been met.

RECOMMENDATION

Based upon the information presented in the application, plans submitted for review, and findings as presented in this staff report, staff recommends that the Historic Landmarks Commission **APPROVE** the proposal with the following CONDITION of APPROVAL:

Condition 1: Should the applicant proceed with siting the Gold Star Family Memorial within the location of the existing Parade of Animals sculptures, the applicant shall ensure that the Parade of Animals sculptures are relocated to another location on the Capitol Grounds. The applicant shall submit a site plan showing the proposed new location of the sculptures for historic design review approval prior to issuance of building permits for the Vietnam War Memorial.

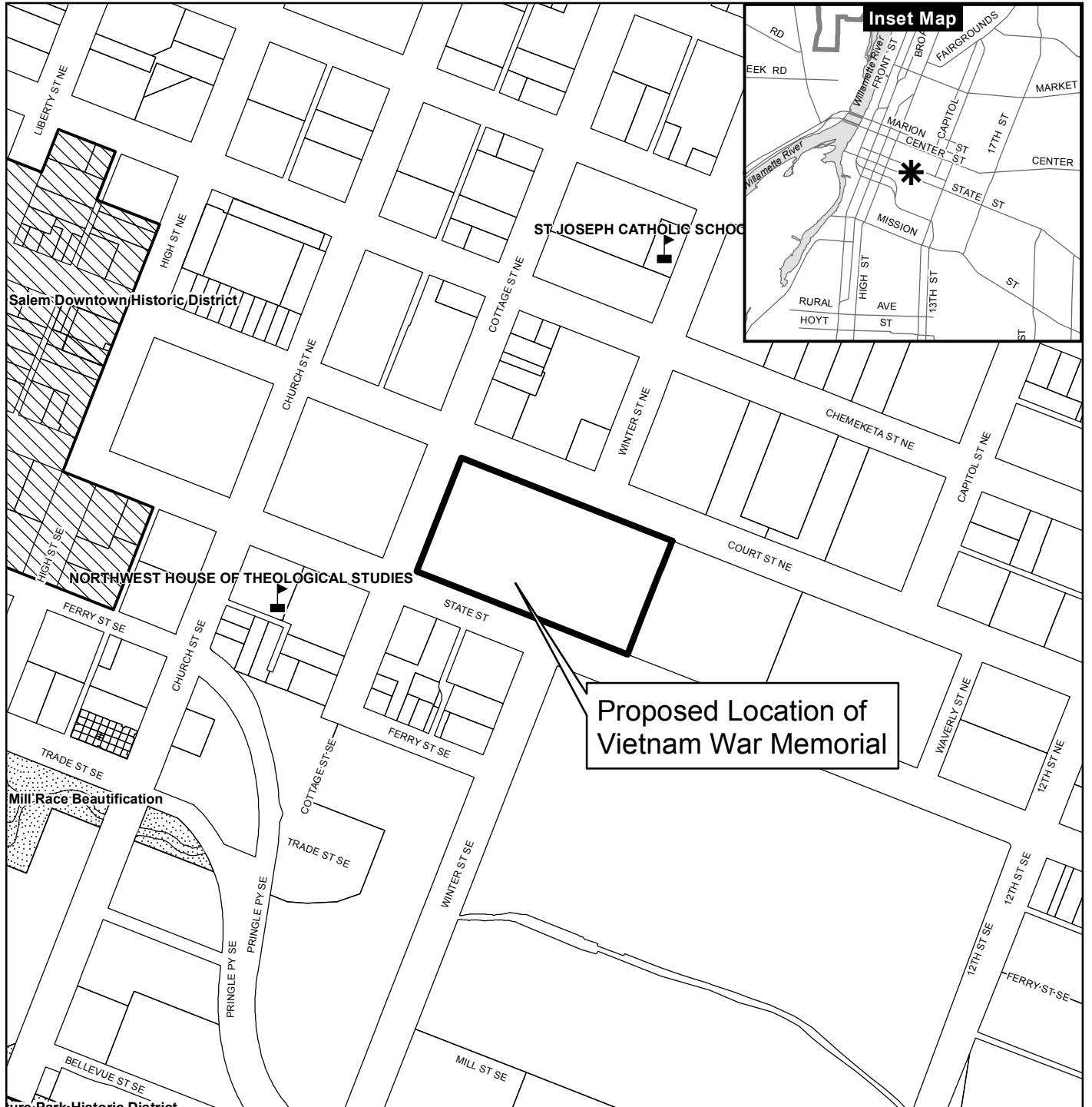
DECISION ALTERNATIVES

1. APPROVE the proposal as submitted by the applicant and indicated on the drawings.
2. APPROVE the proposal with conditions to satisfy specific guideline(s).
3. DENY the proposal based on noncompliance with identified guidelines in SRC 230, indicating which guideline(s) is not met and the reason(s) the guideline is not met.








Attachments: A. Vicinity Map
B. Applicant's Submittal Materials
C. Excerpt from National Register Historic Resource Document

Prepared by Kimberli Fitzgerald, AICP, Historic Preservation Officer

Vicinity Map Wilson Park 900 Court Street NE (073W27AA00300)



Legend

-  Taxlots
-  Urban Growth Boundary
-  City Limits
-  Outside Salem City Limits
-  Historic District
-  Schools
-  Parks



This product is provided as is, without warranty. In no event is the City of Salem liable for damages from the use of this product. This product is subject to license and copyright limitations and further distribution or resale is prohibited.

Historic Alteration Review Worksheet

Site Address: _____

Resource Status: Contributing Non- Contributing Individual Landmark

Type of Work Activity Proposed: Major Minor

Chose One: Commercial District Individual Resource Public District
Residential District Sign

Replacement, Alteration, Restoration or Addition of:

Architectural Feature:

- Awning
- Door
- Exterior Trim, Lintel
- Other architectural feature
- Roof/Cornice
- Masonry/Siding
- Storefront
- Window(s) Number of windows: _____

Landscape Feature:

- Fence
- Streetscape
- Other Site feature (describe) _____

New:

- Addition
- Accessory Structure
- Sign
- Mural
- Accessibility Ramp
- Energy Improvements
- Mechanical Equipment
- Primary Structure

Will the proposed alteration be visible from any public right-of-way? Yes No

Project's Existing Material: _____ Project's New Material: _____

Project Description

Briefly provide an overview of the type of work proposed. Describe how it meets the applicable design criteria in SRC Chapter 230. Please attach any additional information (i.e., product specification sheets) that will help staff and the HLC clearly understand the proposed work:

Signature of Applicant

Date Submitted/Signed

Written Statement Addressing Applicable Approval Criteria (SRC 230)

9.20.20

Mike Abbaté, Abbaté Designs LLC

A Citizen Committee and non-profit organization has worked for three years with Oregon Senators and Representatives and Oregon State Parks to identify the most optimal place on the Capitol Grounds to construct a new Memorial recognizing the honor and sacrifice of Oregon's Vietnam Veterans, and to ensure it is a thoughtful, respectful and beautiful enhancement to Willson Park. The Memorial site, at the SW Corner of Willson Park, lies within the Oregon State Capitol Historic District (SRC Sec 230.200(d))

As this is new construction, and not a building, we have elected to follow the applicable Guidelines identified in Sec 230.065:

e) Changes that have taken place to a historic resource over the course of time are evidence of the history and development of a historic resource and its environment and should be recognized and respected. These changes may have acquired significance in their own right, and this significance should be recognized and respected.

Willson Park has changed over time, most recently with new symmetrical walkways installed by OPRD to better connect the WWII Memorial to the other historic features in the Park. The Vietnam Memorial has been designed to incorporate the new path geometry developed by OPRD.

Another recent change to Willson Park was the addition of the WWII Memorial itself in 2011. The proposed Vietnam War Memorial mirrors the location of the WWII Memorial black granite wall in the NW corner of the park with a black granite "Column Wall" on the SW corner to reflect the symmetrical balance of the Park.

(f) Additions and alterations to a historic resource shall be designed and constructed to minimize changes to the historic resource.

No significant features identified in Table 230-3 will be affected by the installation of the Vietnam War memorial. In fact, the symmetrical geometry of Willson Park will be enhanced by the placement of a similar wall on the south side of the axis.

The proposed Gold Star Families component can be installed in one of two locations, depending on the preference of OPRD: 1) in one of the elliptical alcoves on the north-south walkway connecting the WWII and Vietnam Memorials or 2) in the central ellipse between the two memorials. It would only be constructed in the central ellipse if OPRD chooses to relocate the Parade of Animals Sculpture.

(g) Additions and alterations shall be constructed with the least possible loss of historic materials and so that significant features are not obscured, damaged, or destroyed.

The proposed Vietnam War Memorial will retain the existing landscape character of this SW corner of Willson Park with its large canopy trees and open landscaping. Great care is being taken to preserve, protect and integrate the existing large trees into the Memorial itself. All trees and sidewalks in the Cottage St. and State St. rights of way will similarly be protected. Materials found elsewhere in the Park such as black granite, basalt stone and bronze are repeated in the new Memorial.



MEMO

To: Kimberli Fitzgerald, AICP, Historic Preservation Officer
From: Mike Abbaté & Steve Bates
Date: October 26, 2020
Re: Response to Oct. 23, 2020 Completeness Review

We are hereby providing the additional information requested in your memo of Oct. 23, 2020.

Written Statement

A. Overview

A Citizen Committee and non-profit organization has worked for three years with Oregon Senators, Representatives, and Oregon State Parks to identify the most optimal place on the Capitol Grounds to construct a new Memorial recognizing the honor and sacrifice of Oregon's Vietnam Veterans, and to ensure it is a thoughtful, respectful and beautiful enhancement to Willson Park.

The proposed Oregon Vietnam War Memorial will be a place of reflection, commemoration and acknowledgement of the sacrifices by Oregon men and women during this pivotal time in the history of Oregon and our nation.

The Memorial site, at the SW Corner of Willson Park, opposite the existing WWII Memorial at the NW corner, lies within the Oregon State Capitol Historic District (SRC Sec 230.200(d))

- 1) The total square footage of the proposed development area is 0.64 acres (27,900 s.f.)
- 2) Specifications (l,w,h and material of memorial itself): The development area is approximately 180' in the east-west direction by 155' in the north-south direction, all on OPRD Park property. A detailed description of the sizes of each of the Memorial elements is listed Table 1, below.
- 3) Statement of existing material proposed for removal:
In the Memorial development area, the following hardscape materials will be removed:
 - 6700 square feet of old existing concrete paving (much of it cracked and/or lifted).
 - 2 existing wooden benches at SW corner of memorial area (to be replaced with multiple benches throughout the memorial)
 - Trees:
 - a. The following trees will be retained and integrated into the overall Memorial plan:
 - 72" Redwood
 - 45" Blue Spruce
 - 40" Fir
 - 31" Cedar ("The Embracing Tree")
 - 27" Cedar
 - 21" Fir
 - 20" Fir



- (2) 14" Ash
 - 12" Camperdown Elm
 - 10" Poplar
 - 10" Crabapple
 - 7" Crabapple
 - (2) 6" Crabapple
- b. The following trees will need to be removed:
- 20" Elm (required to be removed to comply with OPRD's new Willson Park walkway plan)
 - 20" Pine
 - 16" Pine
 - 8" Norway Maple
 - 8" Crabapple
 - 6" Crabapple

B. Addressing Applicable Approval Criteria (SRC 230)

As this is new construction, and not a building, we have elected to follow the applicable Guidelines identified in Sec 230.065:

e) Changes that have taken place to a historic resource over the course of time are evidence of the history and development of a historic resource and its environment and should be recognized and respected. These changes may have acquired significance in their own right, and this significance should be recognized and respected.

Willson Park has changed over time, most recently with new symmetrical walkways installed by OPRD to better connect the WWII Memorial to the other historic features in the Park. The Vietnam Memorial has been designed to incorporate the new path geometry developed by OPRD.

Another recent change to Willson Park was the addition of the WWII Memorial itself in 2011. The proposed Vietnam War Memorial mirrors the location of the WWII Memorial black granite wall in the NW corner of the park with a black granite "Column Wall" on the SW corner to reflect the symmetrical balance of the Park.

(f) Additions and alterations to a historic resource shall be designed and constructed to minimize changes to the historic resource.

No significant features identified in Table 230-3 will be affected by the installation of the Vietnam War memorial. In fact, the symmetrical geometry of Willson Park will be enhanced by the placement of a similar wall on the south side of the axis.

The proposed Gold Star Families component can be installed in one of two locations, depending on the preference of OPRD: 1) in one of the elliptical alcoves on the north-south walkway connecting the WWII and Vietnam Memorials or 2) in the central ellipse between the two memorials. It would only be constructed in the central ellipse if OPRD chooses to relocate the Parade of Animals Sculpture.

(g) Additions and alterations shall be constructed with the least possible loss of historic materials and so that significant features are not obscured, damaged, or destroyed.

The proposed Vietnam War Memorial will retain the existing landscape character of this SW corner of Willson Park with its large canopy trees and open landscaping. Great care is being taken to preserve, protect and integrate the existing large trees into the Memorial itself. All trees and sidewalks in the Cottage St. and State St. rights of way will similarly be protected. Materials found elsewhere in the Park such as black granite, basalt stone and bronze are repeated in the new Memorial.

Specifications for Proposed New Memorial Elements

The following is a breakdown of the various constituent elements of the proposed Vietnam War Memorial, as indicated in the site plan below:





TABLE 1

Item No.	Element	Size	Materials	Notes
1	Memorial Monument	Columns are a mix of sizes: 12"x12", 18"x18", and 24"x24". Height ranges from 3' at the ends, increasing to 8' at the corner	Black Granite columns with names of deceased servicemen engraved on back side	This is a black granite "wall" made of spaced columns to mirror the WWII Memorial to the north
2	Brothers Benches	2' wide x 6' long x 18" high	Likely granite	These are benches for sitting and commemorate the 4 Oregon families that lost 2 sons in the war
3	MIA/POW Stations	24" x 36"	Engraved Granite Plaques: 1 for POWs & 1 or MIAs	These plaques will be embedded in the basalt stone wall surrounding the alcove along the walkway
4	Nurses Station	10' long x 6' wide x 5' high	Bronze Sculpture	Artwork on a raised granite pedestal celebrating the work of nurses and medics in the war
6	Honor Station – Wetland Feature	23' x 32'	Stormwater treatment facility	This element will treat stormwater runoff from the paved areas of the Memorial and will not have water in it otherwise
7	A Soldier's Return	7.5' long x 6.5" wide x 7.5' tall	Bronze Sculpture	This artwork features a soldier who will be first seen from behind as you enter the Memorial



8	Meeting & Gathering Station	80' long x 40' wide	Paved plaza	This open paved area will accommodate group celebrations and remembrances
9	Persian Gulf War Memorial	24" x 36"	Engraved Granite Plaque	This plaque will be embedded in the basalt stone wall surrounding the alcove along the walkway
10	Gold Star Families Memorial Monument	16' long x 2.5' wide x 6' tall in an arc	Black Granite with Engraving	This is a Monument that has been designed by the Herschel Woody Williams Medal of Honor Foundation and installed in 49 US states and territories. For more info, see www.hwwmohf.org
11	Purple Heart State Plaque	24" x 36"	Engraved Granite Plaque	This plaque will be embedded in the basalt stone wall surrounding the alcove along the walkway

End of Memo

City of Salem Historic Design Review – Major **Oregon Vietnam War Memorial**

Applicant: **Oregon Parks & Recreation Department**
Agent: **Vietnam War Memorial Fund**
Consultant: **Abbaté Designs LLC**



Application #20-115809

October 2, 2020



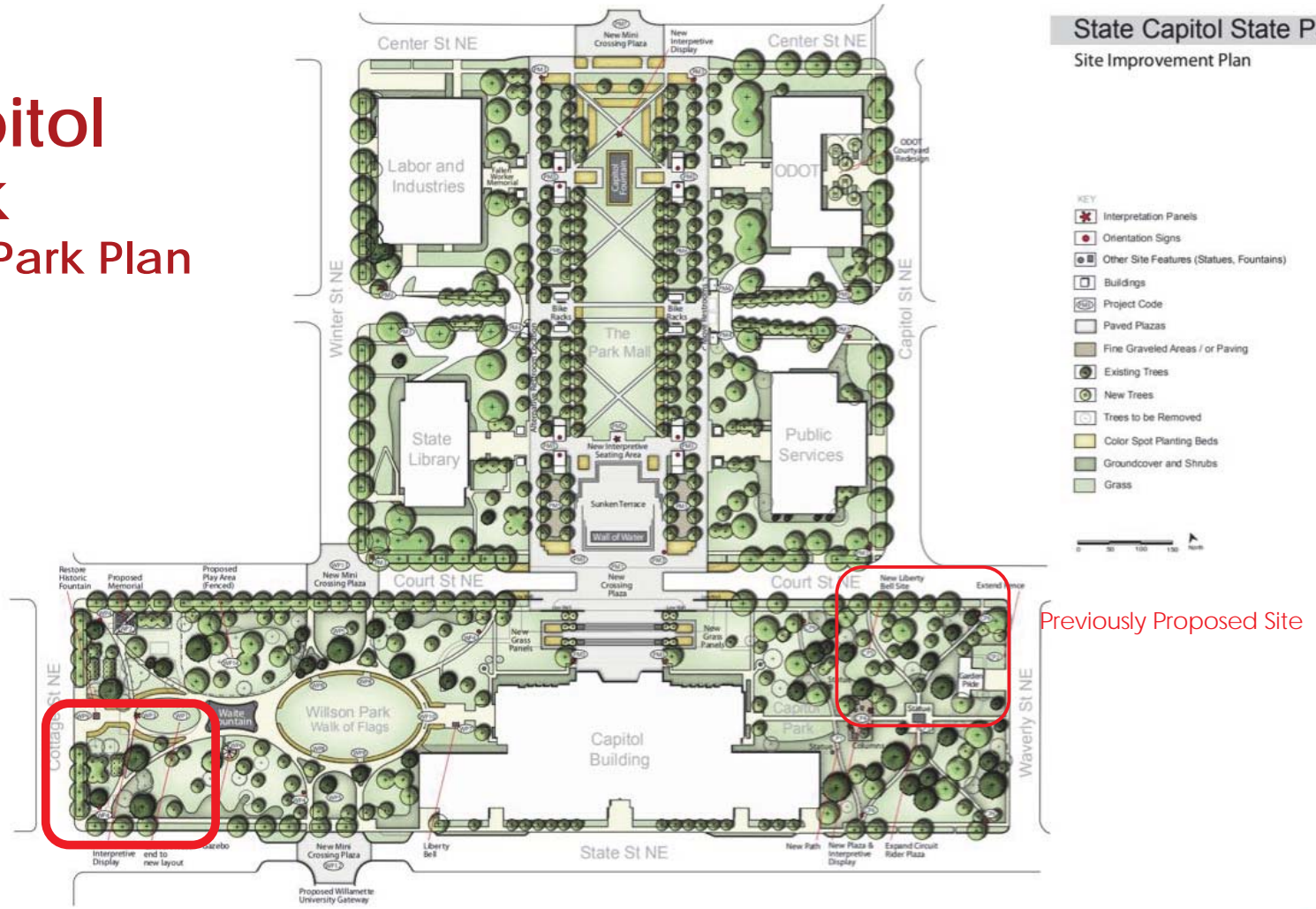
Chris Havel Associate Director, Oregon Parks & Recreation Department

Steve Bates President, Oregon Vietnam War Memorial Fund



State Capitol State Park

2010 General Park Plan



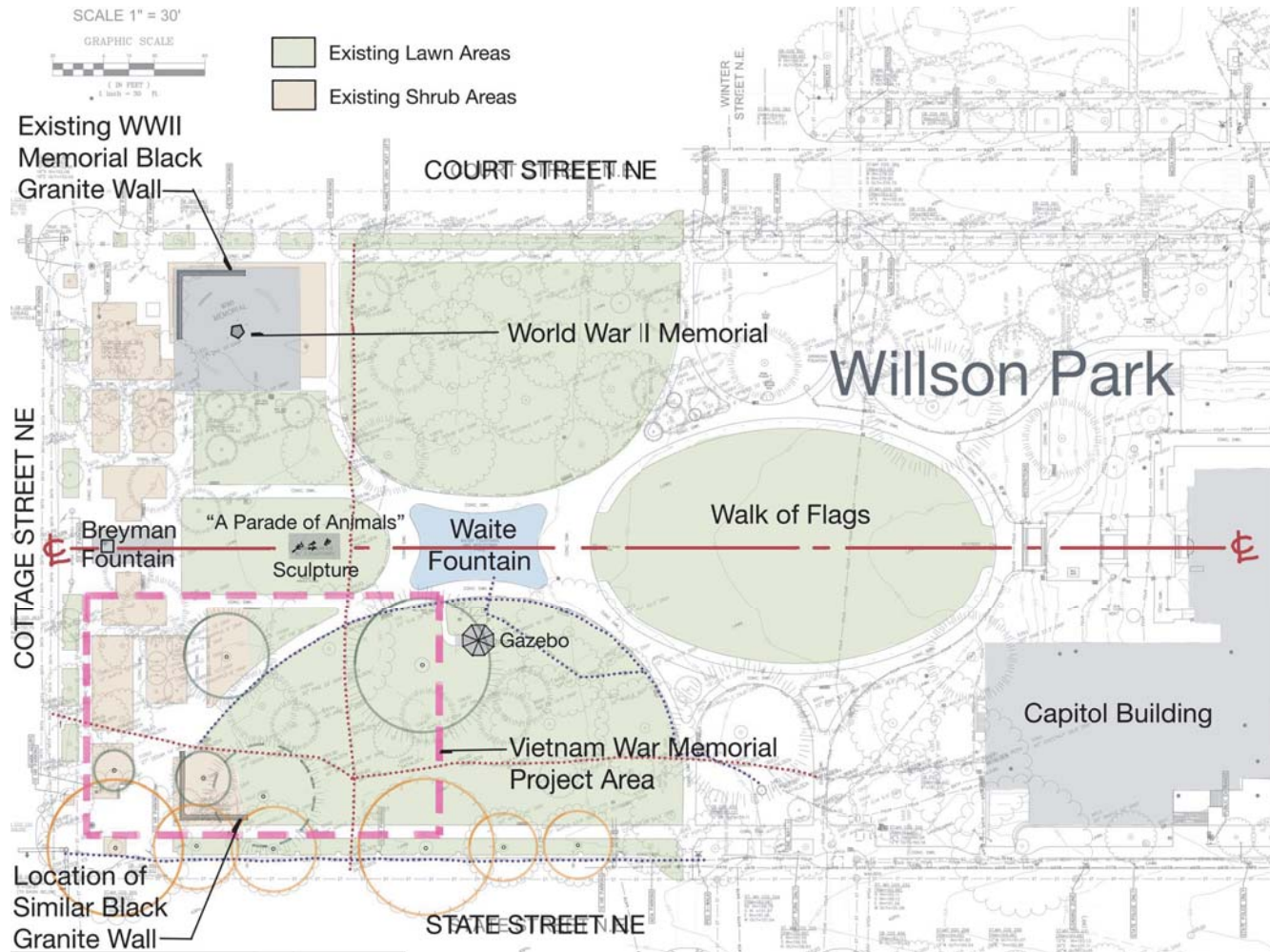
10.02.20



Site Context

Willson Park has a symmetrical and axial geometry, with the centerline originating in the middle of the Capitol Rotunda, and extending west through the Walk of Flags, Waite Fountain and Breyman Fountain.

The proposed Vietnam War Memorial on the South is carefully placed to mirror the location of the existing World War II Memorial to the North



10.02.20



Site Photos



Looking SE at existing WWII Memorial Site
(from Court St. and Cottage St.)

Looking NE at current conditions at Vietnam War Memorial Site
(from State St. and Court St.)



10.02.20



Site Photos



Looking West along State Street NE Sidewalk



Looking E at Embracing Tree (Western Red Cedar)



10.02.20



Site Photos



Looking N from VWM Site toward WWII Memorial



Looking S at VWM Site from WWII Memorial



Looking S at VWM Site from Breyman Fountain



10.02.20



Site Photos



Looking SW at "Embracing Tree" Cedar (to be preserved)



Looking NE at Entry/Arrival to Vietnam War Memorial and 60" London Plane Tree at corner of Cottage and State Streets



Looking S at Blue Atlas Cedar (to be preserved)



10.02.20



Site Photos



Looking SW from Waite Fountain toward VWM Site



Looking W from Waite Fountain



Looking W across Waite Fountain



Looking NW from Waite Fountain toward WWII Memorial



10.02.20



Design Objectives

1. Create a place that is greater than the sum of its parts
2. Create a place of beauty, peace, and truth about the experiences of Veterans
3. Unify the various elements
4. Provide inspiration and reflection through evocative art
5. Provide educational information in ways that complement, rather than overwhelm, the art (providing both Inspiration and Education)
6. Encourage personal interactions with individual elements
7. Create places for both public gatherings and private reflections
8. Utilize long-lasting, low-maintenance materials and systems
9. Provide complete barrier-free access for all



10.02.20



Memorial Plan:



10.02.20



Design Concept: Comparing the Wars & the Oregon Capitol's Memorials

	WWII	Vietnam
WAR	Solid Public Support	Fractured Public Support
	Vets Welcomed Home	Vets Ignored or Insulted
	Moms & Dads	Sons & Daughters

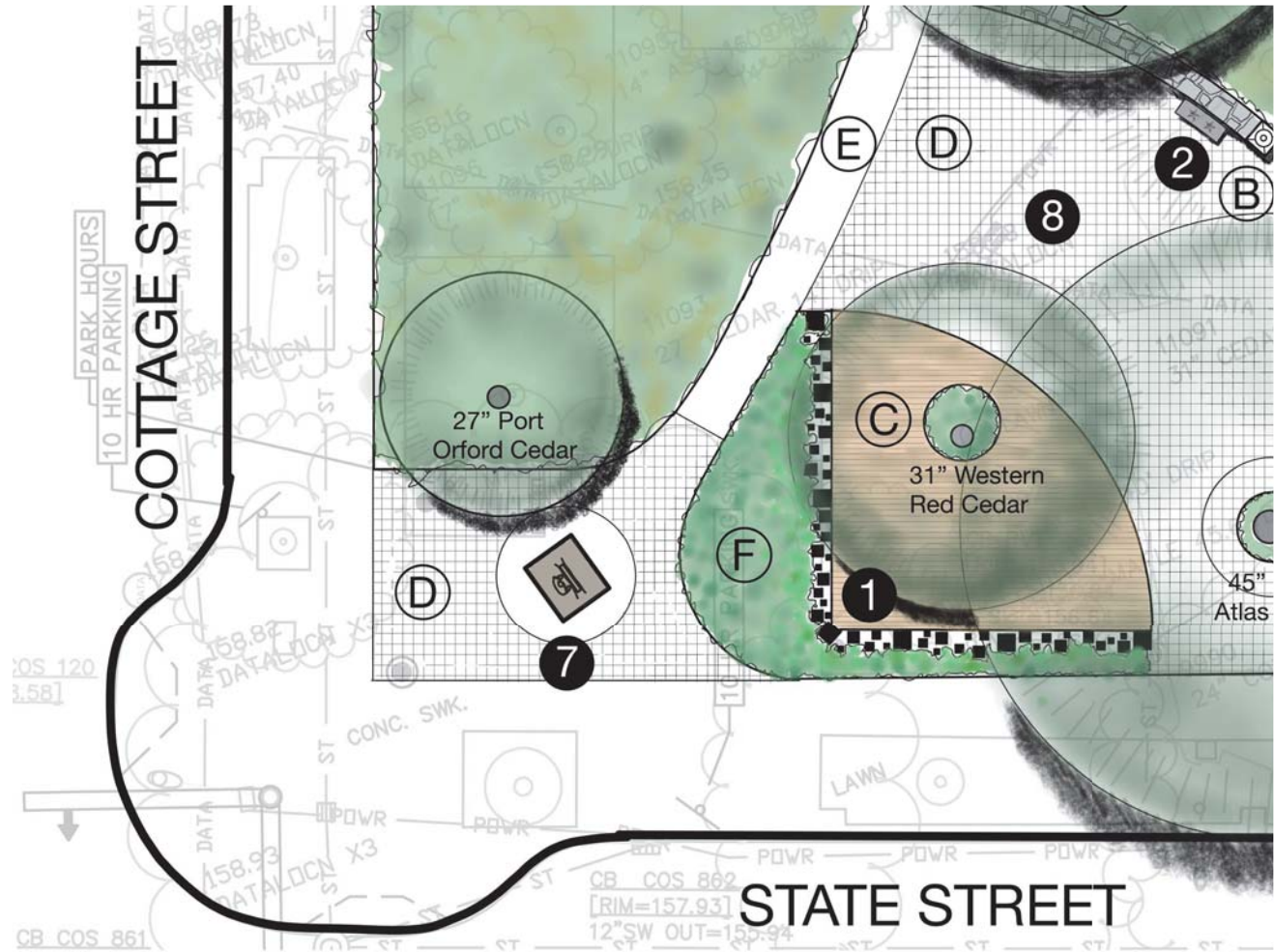
	WWII	Vietnam
MEMORIAL	Square Corners	Arcs & Curves
	No Nature	Embrace Nature
	Made of the World	Made of Oregon



10.02.20



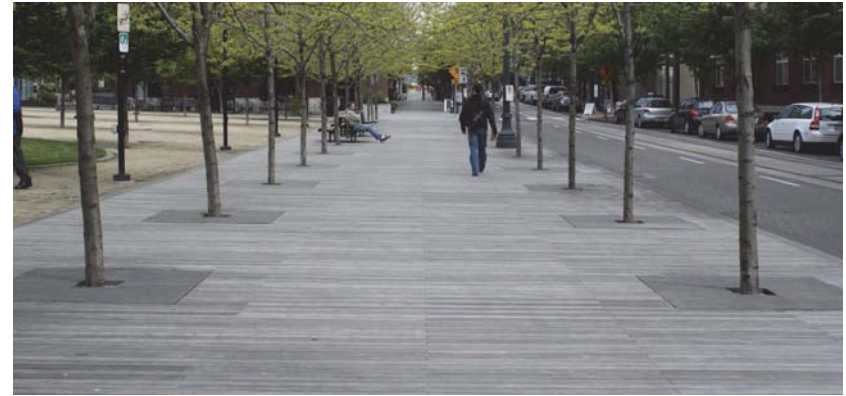
Schematic Design Plan: SW Corner



10.02.20



Materials:



© Oregon Basalt Walls

© Ipé Wood Deck

10.02.20



Design Images: View at Memorial Entry @ Cottage & State Streets



10.02.20



Design Images: View SE across Meeting & Gathering Plaza



10.02.20



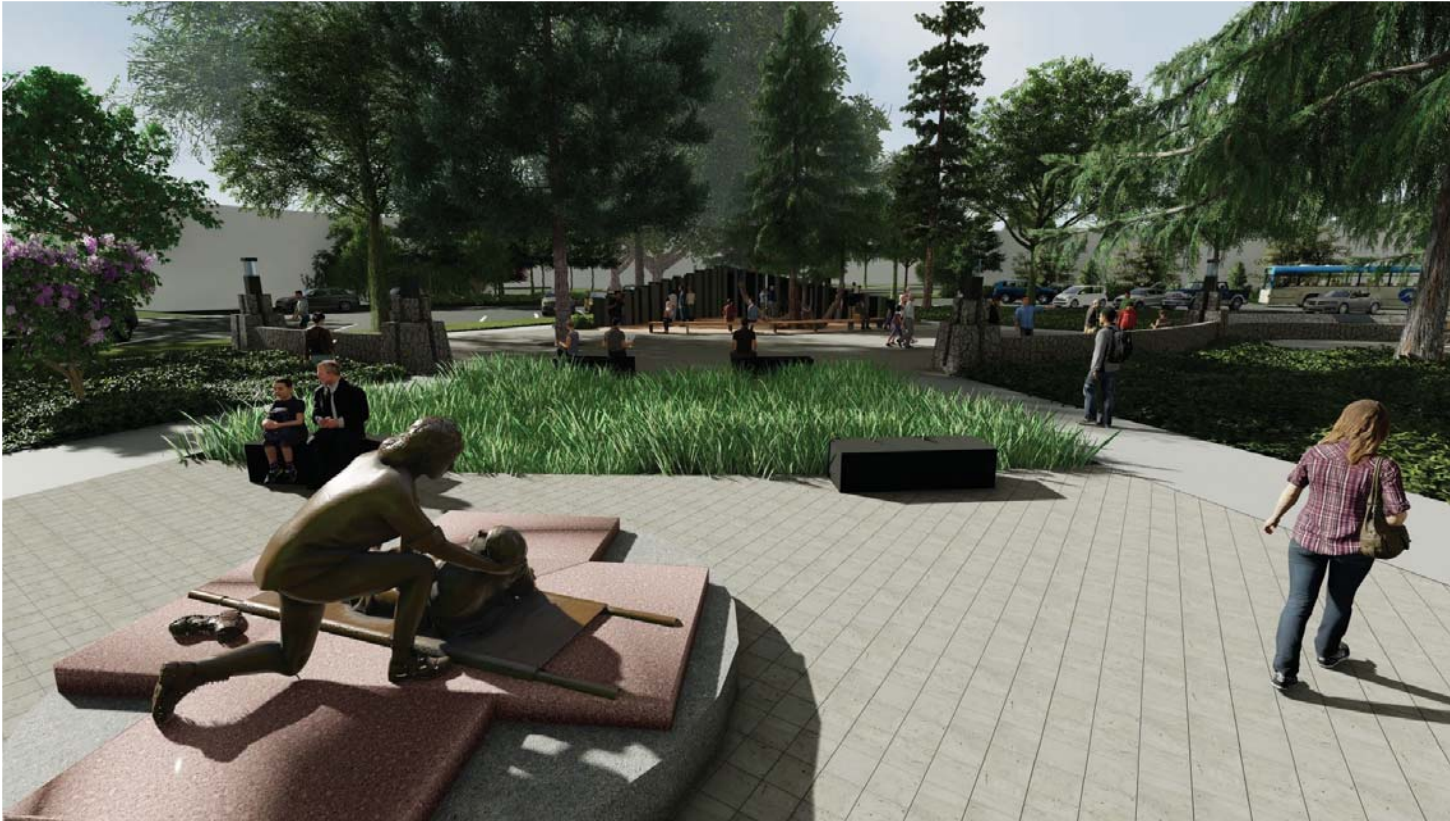
Design Images: View of Inscribed Column Wall with “Embracing Tree”



10.02.20



Design Images: View SW with Nurses Sculpture and "Rain Paddy"



10.02.20



Design Images: Overview looking SW



10.02.20



Design Walkthrough Video:



Video performance may be improved by watching directly from the internet at:

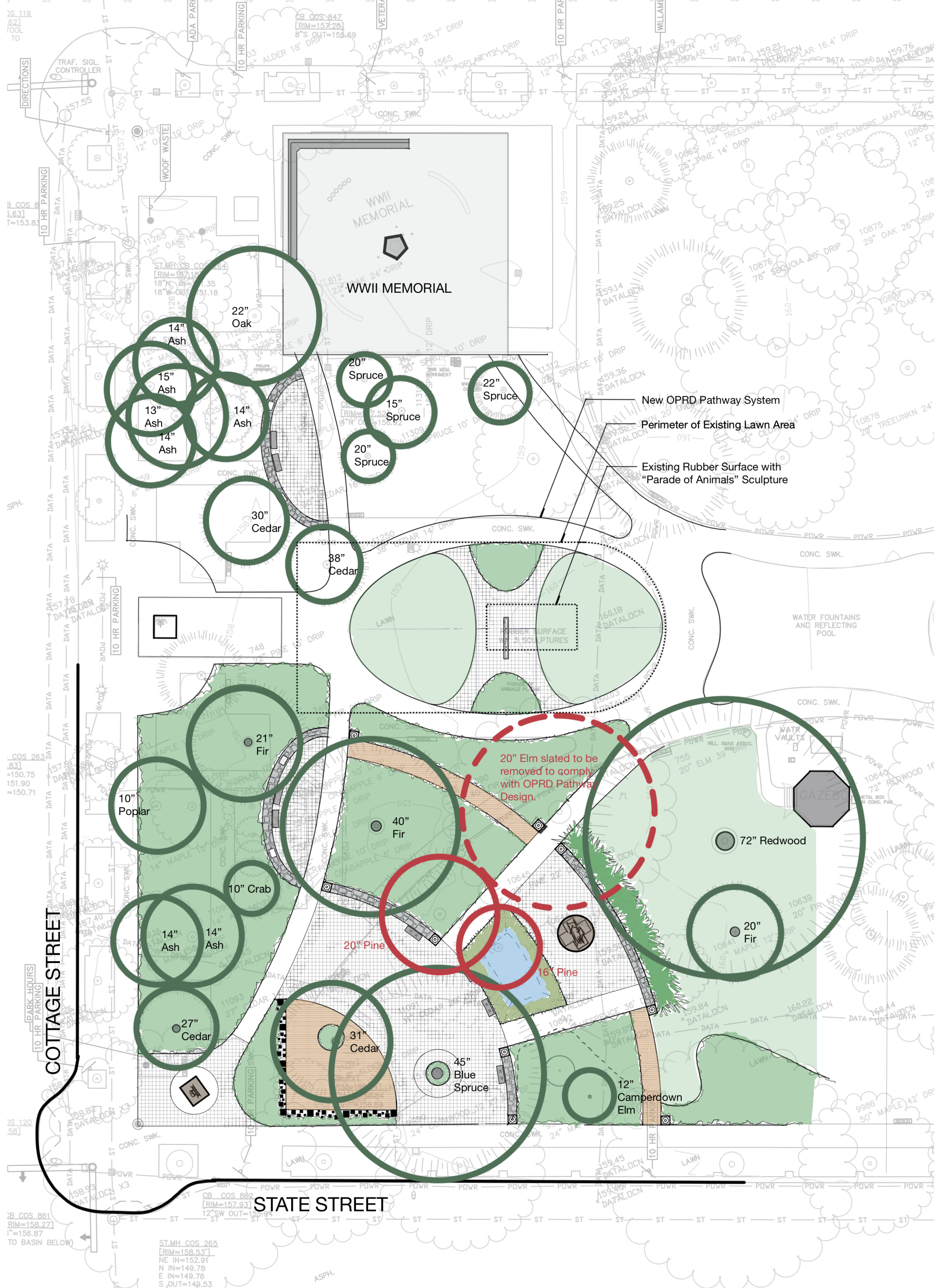
<https://youtu.be/pWkHHUxORiY>

Make sure sound is turned on



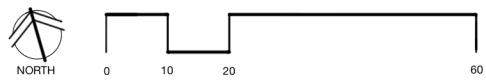
10.02.20





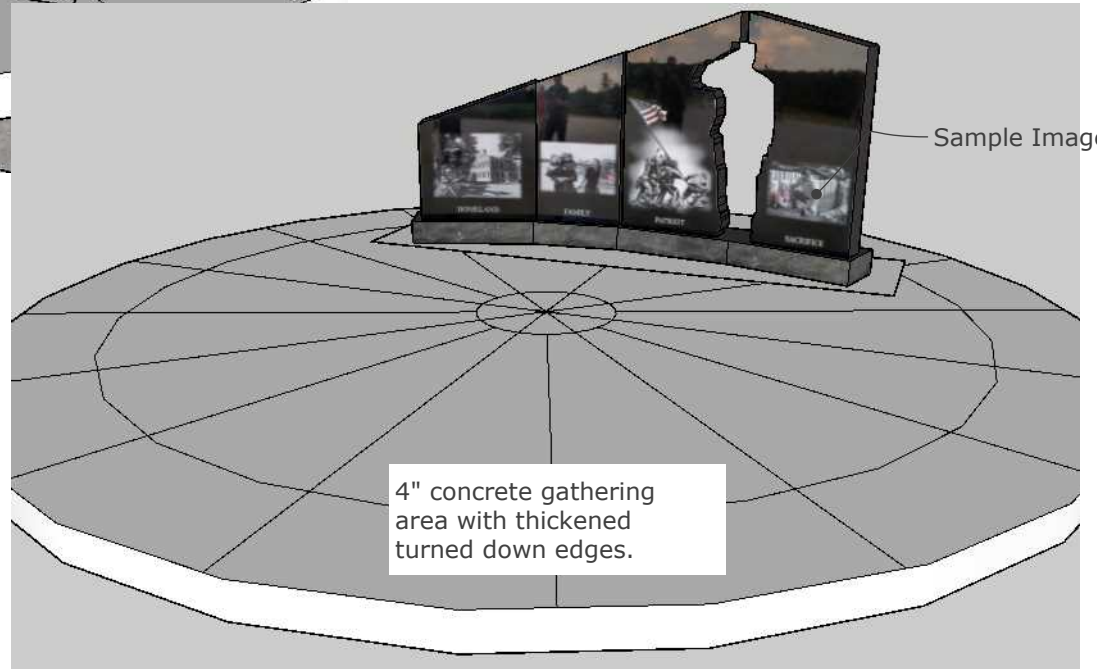
- Existing trees to be protected and retained
- Existing trees to be removed

NOTE: All existing street trees along State and Cottage Streets will be protected and retained in place.

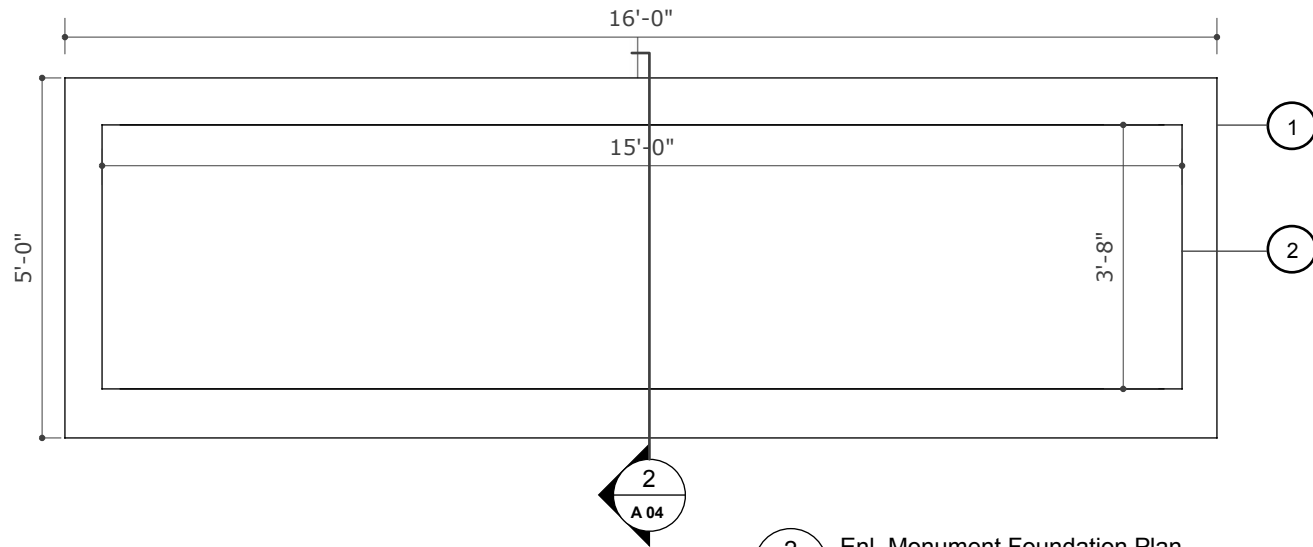




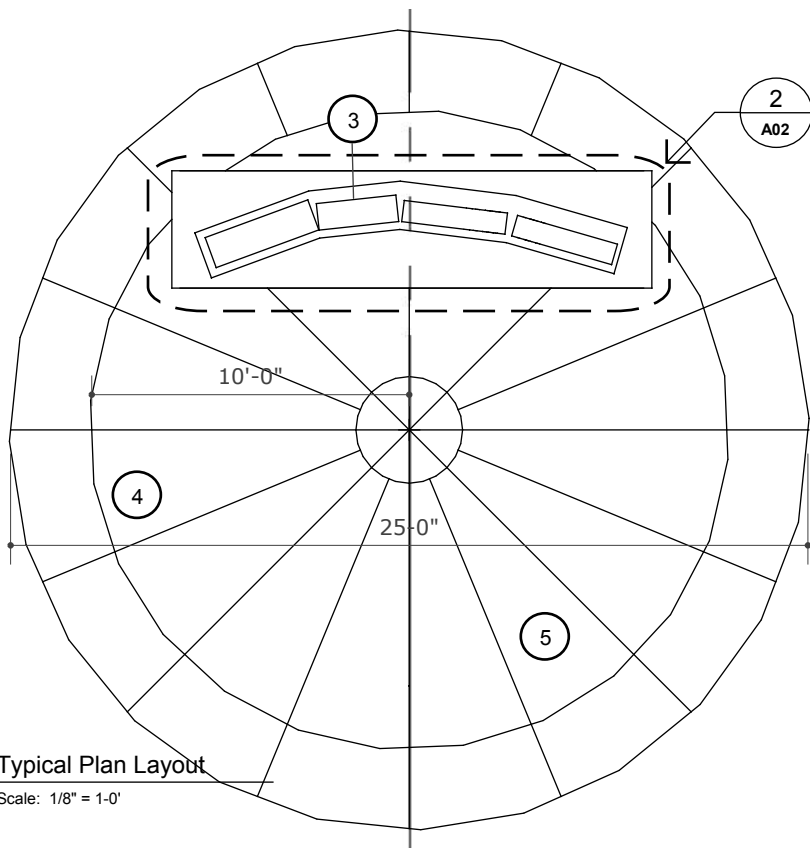
1 Isometric of Monument
 A01 Scale: NTS



2 Isometric of Monument
 A01 Scale: NTS



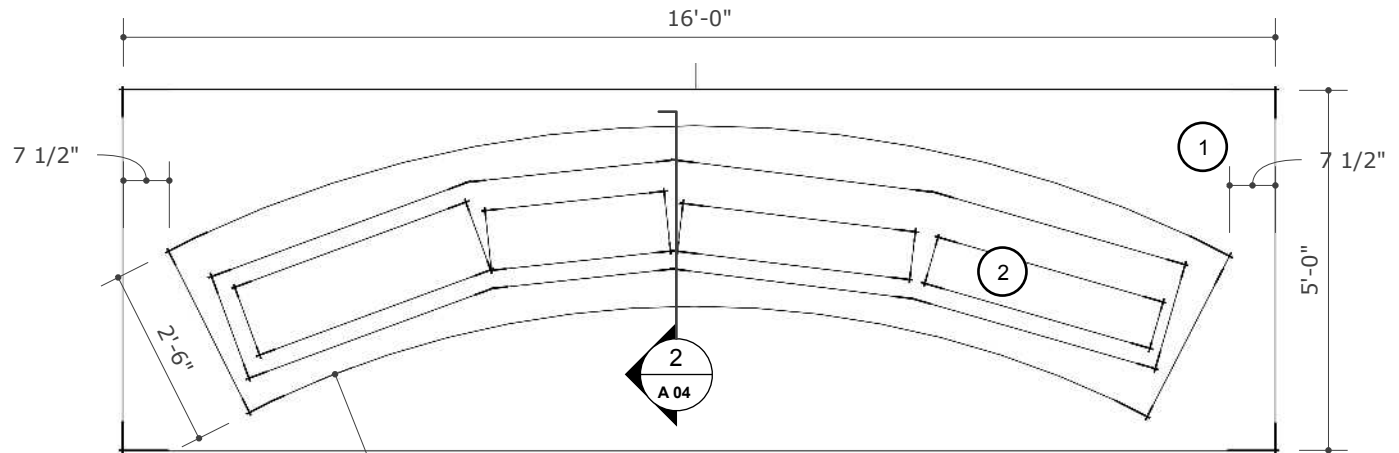
2 Enl. Monument Foundation Plan
A02 Scale: 3/8" = 1'-0"



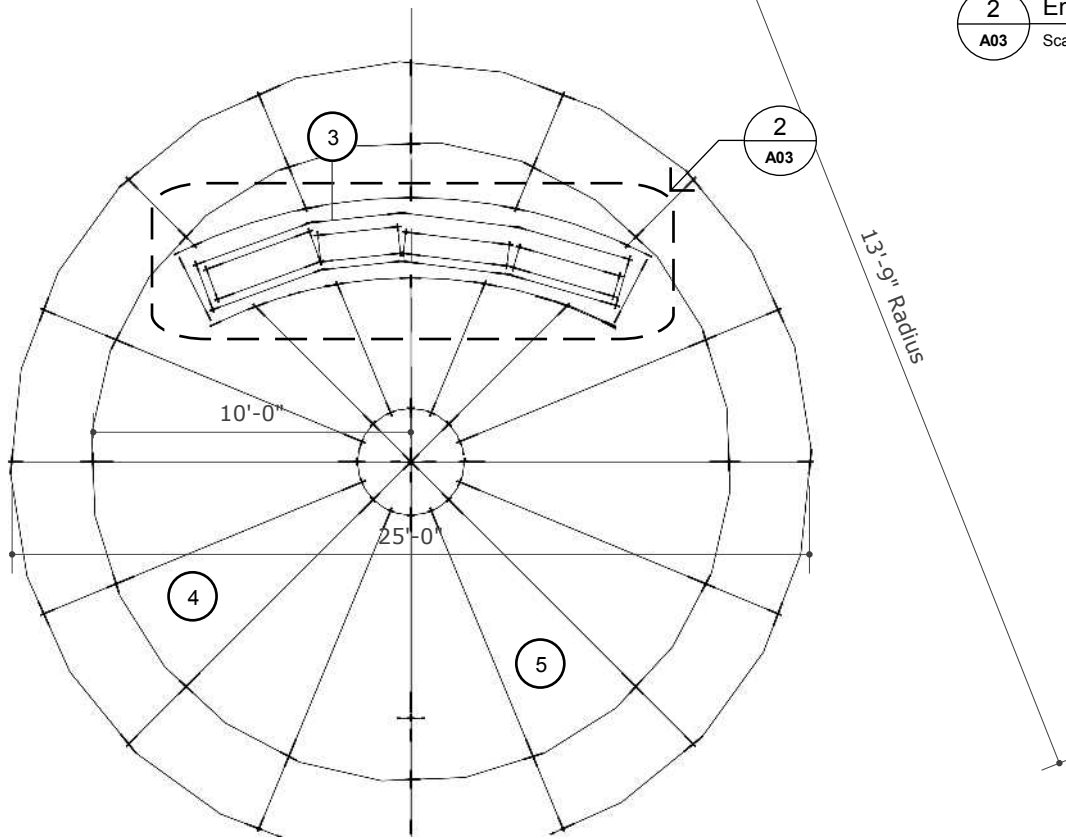
1 Typical Plan Layout
A02 Scale: 1/8" = 1'-0"

Numbered Notes:

1. 12" Thick footing, 4000# concrete. #4 bars @ 10" oc long direction, #4 bars at 16" oc short direction. #4 bent bars @ 32" oc.
2. 18" tall stem wall - 3'-8" wide. 2 rows of #4 bar long direction. 1 row #4 bars @ 16" oc in short direction. Top of radius stem wall must be completely flat to allow monuments to sit plumb.
3. Monument base to be placed by others. See Sheet 3.
4. 4" Concrete slab with light broom finish, tool joints as shown. Slope to drain. 4" min. stone base.
5. Arrangement of concrete gathering area may vary from site to site. Confirm configuration with owner. Provide similar concrete access to available sidewalk.



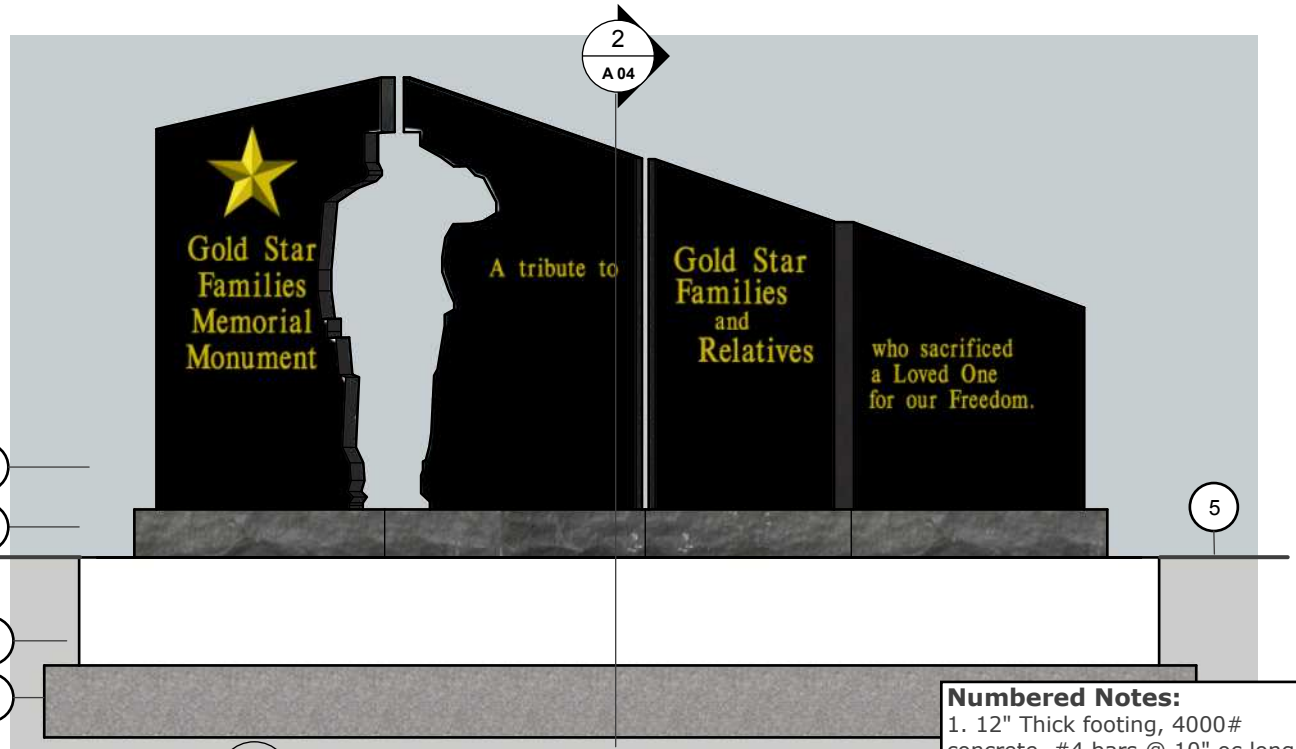
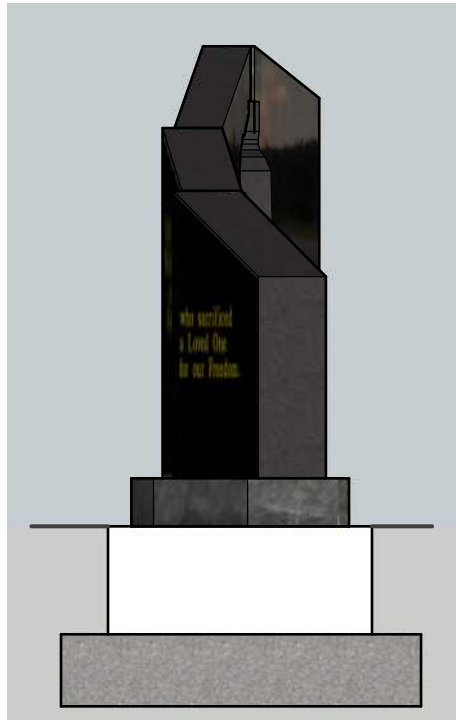
2 Enl. Monument Foundation Plan (Radius Option)
 A03 Scale: 3/8" = 1'-0"



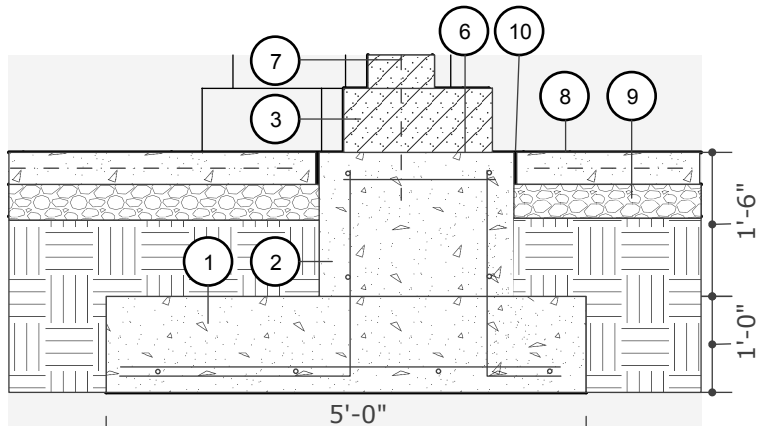
1 Typical Plan Layout
 A02 Scale: 1/8" = 1'-0"

Numbered Notes:

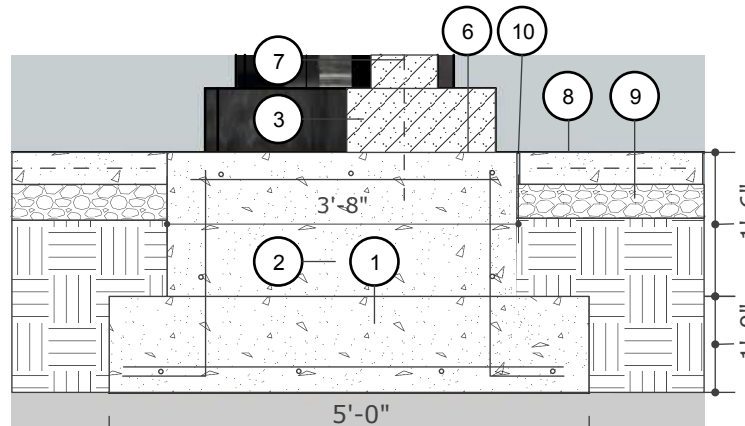
1. 12" Thick footing, 4000# concrete. #4 bars @ 10" oc long direction, #4 bars at 16" oc short direction. #4 bent bars @ 32" oc.
2. 18" tall stem wall - 2'-6" wide. 2 rows of #4 bar long direction. 1 row #4 bars @ 16" oc in short direction. Top of radius stem wall must be completely flat to allow monuments to sit plumb.
3. Monument base to be placed by others. See Sheet 3.
4. 4" Concrete slab with light broom finish, tool joints as shown. Slope to drain. 4" min. stone base.
5. Arrangement of concrete gathering area may vary from site to site. Confirm configuration with owner. Provide similar concrete access to available sidewalk.



1 Monument Foundation Elevations
A 04 Scale: 3/8" = 1' - 0"

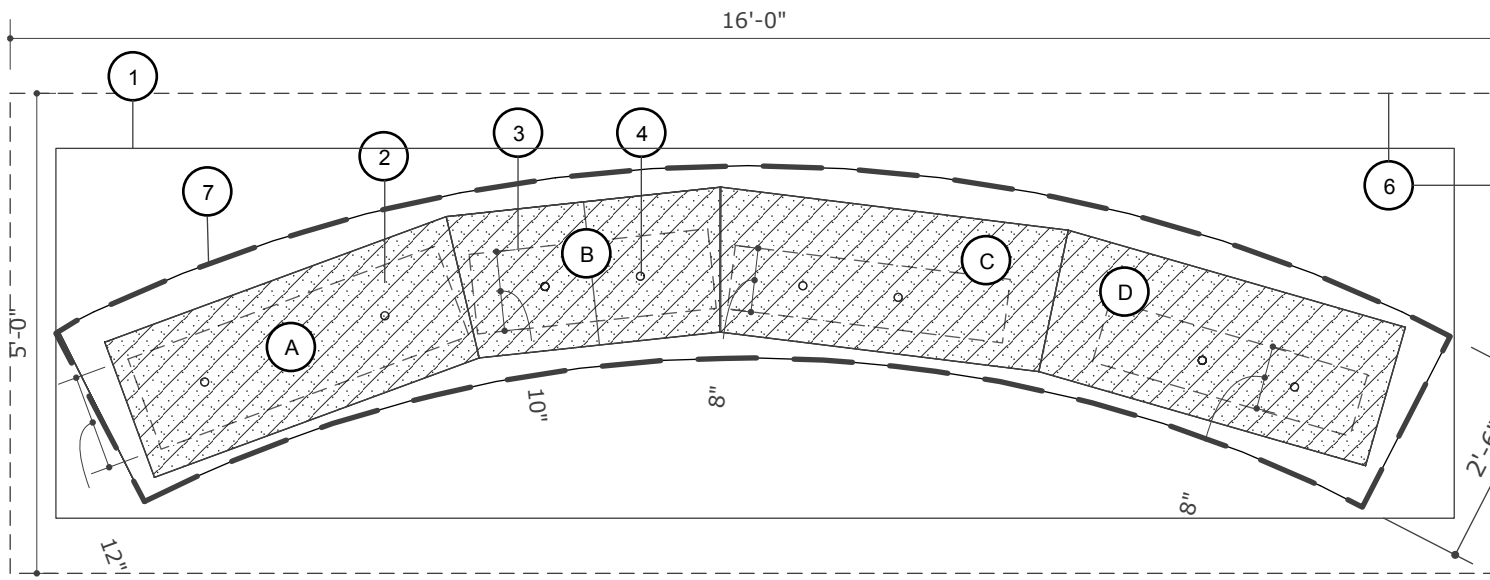


2 alt Foundation Section (Optional Radius)
A 04 Scale: 1/2" : 1'-0"



2 Foundation Section (Typ Rectangular)
A 04 Scale: 1/2" : 1'-0"

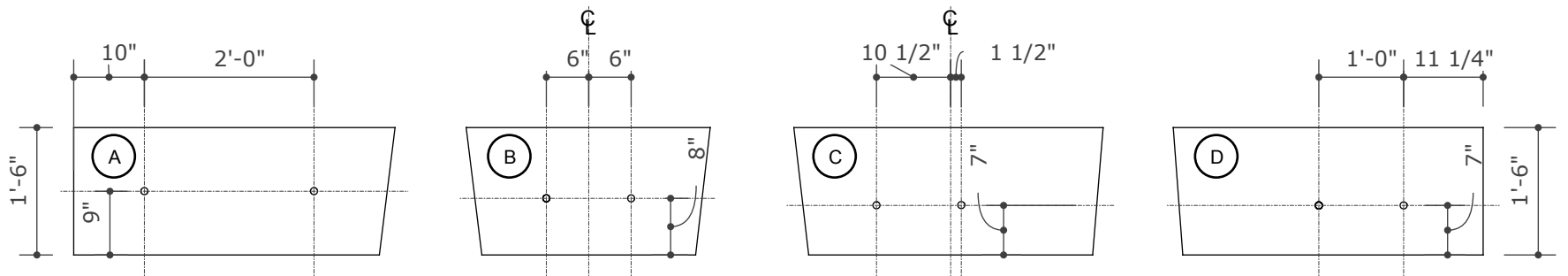
- Numbered Notes:**
- 12" Thick footing, 4000# concrete. #4 bars @ 10" oc long direction, #4 bars at 16" oc short direction. #4 bent bars @ 32" oc.
 - 18" tall stem wall - 2'-6" wide. 2 rows of #4 bar long direction. 1 row #4 bars @ 16" oc in short direction.
 - 8" Tall monument base (by others)
 - Laser etched monuments, images will vary from site to site (by others)
 - Grade line.
 - Top of stem wall must be completely flat to allow monuments to sit plumb.
 - Anchor Bar drilled into existing foundation and installed by Monument Company.
 - 4" Concrete slab with light broom finish, tool joints as shown. Slope to drain.
 - 4" min. stone base.
 - 1/2" exp jt with sealant at joints.



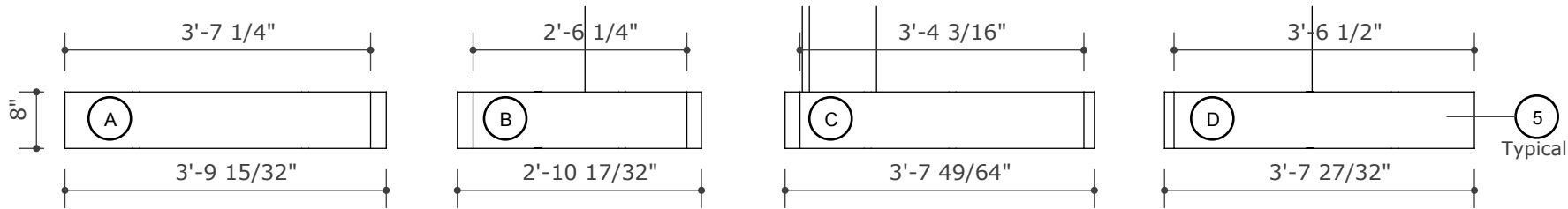
Numbered Notes:

1. Top of stem wall below. (Standard Rectangle.) Must be perfectly level to place monument.
2. Shaded areas are monument bases.
3. Short dashed are location of vertical monuments to be placed on top of monument bases.
4. Holes in monument bases and vertical monuments are by monument stone provider. Monument stone installer will drill and epoxy vertical dowels after these bases are field located.
5. Exposed edges of monument bases are rough cut, concealed faces and tops are polished smooth.
6. Footing below. See Sheet 2.
7. Outline of Alternate Radius Foundation.

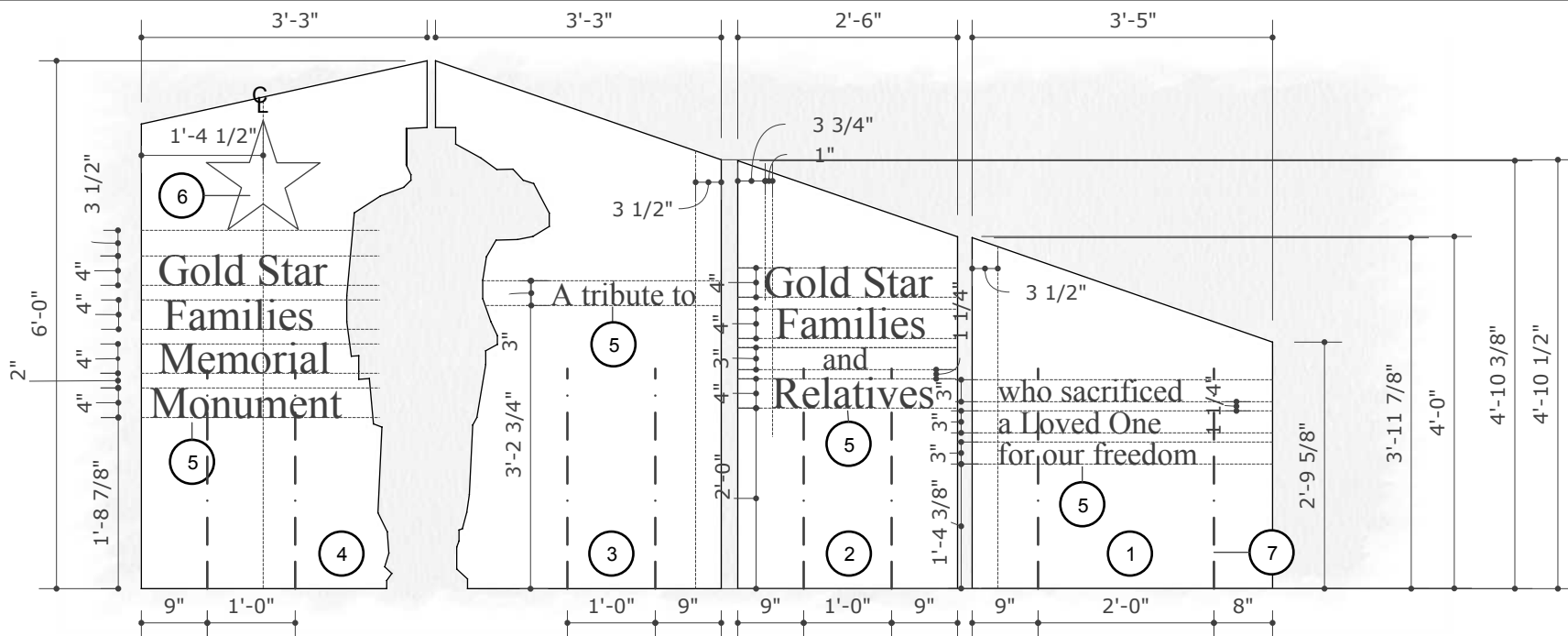
1 Monument Base Placement Plan
 A05 Scale: 1/2" = 1' - 0"



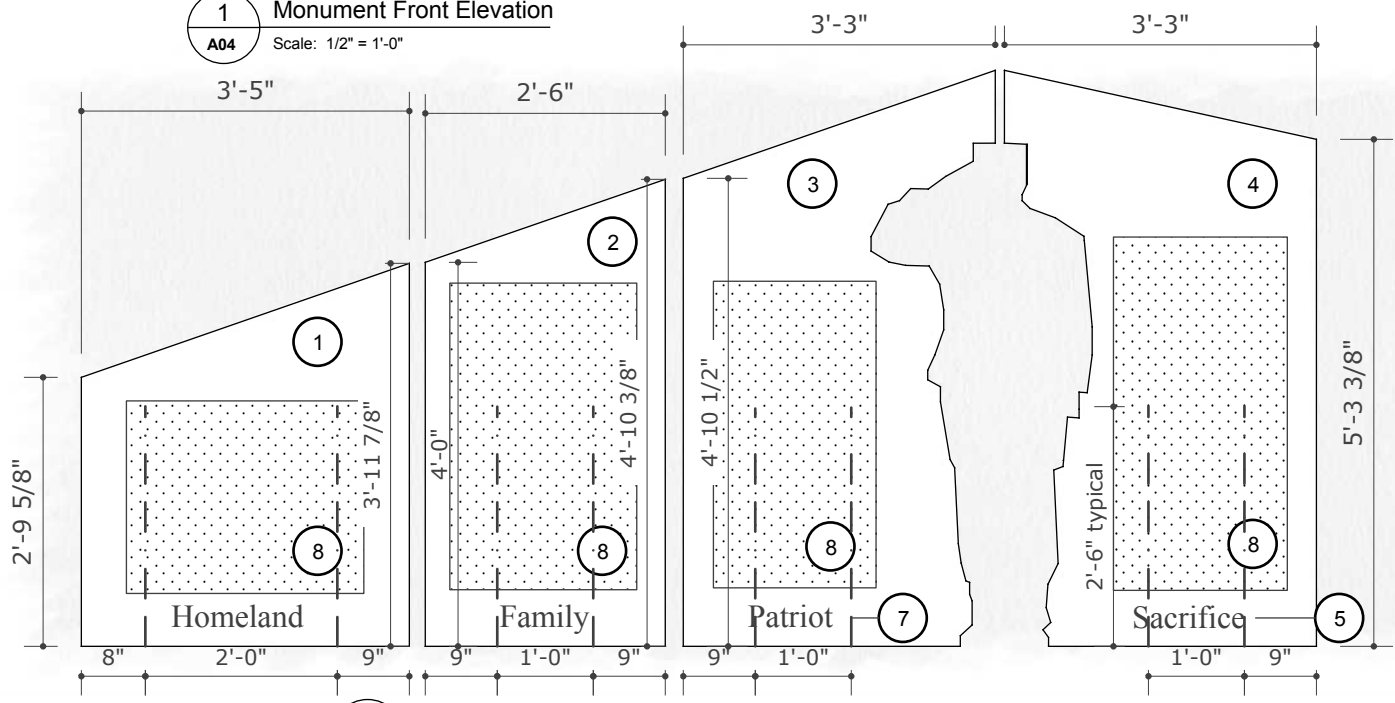
2 Monument Base Plans
 A 05 Scale: 1/2" = 1'-0"



3 Monument Base Elevations
 A 05 Scale: 1/2" = 1'-0"



1 Monument Front Elevation
 A04 Scale: 1/2" = 1'-0"



1 Monument Rear Elevation
 A04 Scale: 1/2" = 1'-0"

- Numbered Notes:**
1. Standing Granite Slab 3' - 11 7/8" tall x 3'-5" wide x 12" thick.
 2. Standing Granite Slab 4' - 10 3/8" tall x 2'-6" wide x 10" thick.
 3. Standing Granite Slab 6' - 0" tall x 3'-5" wide x 8" thick.
 4. Standing Granite Slab 6' - 0" tall x 3'-5" wide x 8" thick.
 5. Sandblasted inscription text height as indicated. Text as shown. Times New Roman font.
 6. Cast Bronze Nautical Star with concealed stainless steel fasteners.
 7. 1" dia. drilled cores by monument installer typical 2 each stone.
 8. Image areas. Coordinate with owner.

City of Salem Historic Design Review – Major Oregon Vietnam War Memorial

Applicant: **Oregon Parks & Recreation Department**
Agent: **Vietnam War Memorial Fund**
Designer: **Abbaté Designs LLC**



Contact Information:

Steve Bates: vietnamwarmem@aol.com 503-663-6271
Chris Havel: chris.havel@oregon.gov 503-986-0722
Mike Abbaté: mike@abbatedesigns.com 971-404-8670

October 2, 2020



Chris Havel Associate Director, Oregon Parks & Recreation Department

Steve Bates President, Oregon Vietnam War Memorial Fund



United States Department of the Interior
National Park Service

National Register of Historic Places Continuation Sheet

Section number 8 Page 35

LANDSCAPE DEVELOPMENT: PREPARATION FOR EXPANDING THE CAPITOL MALL

In addition to the Capitol Building, several related landscape elements are counted as separately contributing features of the nominated area. These are as follows: 1) the set of colossal sculptural stelae commemorating the Lewis and Clark Expedition and Oregon Trail migrations carved by Leo Friedlander and situated at the base of the Capitol's front steps, 2) the north plaza, or sunken terrace opposite the front of the Capitol, including street rights of way on east, south and west sides comprising a total area of 3.42 acres, 3) the Capitol grounds, an area of 11.07 acres containing the last vestige of historic Willson Park remaining in public open space, 4) "The Circuit Rider," an heroic bronze equestrian statue produced by noted American sculptor Alexander Phimister Proctor which has been associated with the Capitol site since its installation there in 1923, and 5) the Breyman Fountain, a memorial to pioneers erected in 1904 on the west axis which led to the front of the old Statehouse.

Objects in East Park important in the Capitol's history are the statues of Dr. John McLoughlin and the Reverend Jason Lee which are duplicates of bronzes in Statuary Hall in the nation's Capitol, and a grouping of column sections from the old Statehouse of 1876. However, because these features represent commemorative activities post-dating the historic period of significance chosen for this nomination, they are not counted as contributing features at present. Their significance is nonetheless verified by inclusion in the discussion.

The grounds of the Oregon State Capitol which comprise the nominated area of approximately 14 1/2 acres represent the traditional capitol building site as it evolved from the Territorial period to the present day. It will be remembered that the Territorial Capitol of 1853-1854 occupied Block 84 at the head of Willson Avenue, the long public square at the center of the original plat of Salem laid out by William H. Willson in 1846. The Statehouse of 1876 was built on the same site. In due course, Summer and Capitol streets at west and east ends of Block 84 were vacated, and Lots 1 through 5 of Block 1 of Waldo's

United States Department of the Interior
National Park Service

National Register of Historic Places Continuation Sheet

Section number 8 Page 36

Addition lying on the east side of Capitol Street were annexed to the State-owned parcel. By the time the old Statehouse burned in 1935, the extent of the grounds was approximately five acres.

While the Capitol Reconstruction Project was underway, the City of Salem and heirs of William H. Willson deeded to the State a little over two acres of public park land adjacent to the west edge of the Capitol grounds in order to facilitate the recommended siting and orientation of the new capitol on the Summer Street axis. At this time also, the State acquired by negotiated purchase and condemnation the east half of Block 83 and the west half of Block 85 to the north of Court Street, and Summer Street was vacated between these two half blocks.

The westerly four acres of Willson Park was the last portion of the "avenue" reserved as public space in the town plat to remain undeveloped by government buildings. Until recent years it continued under the jurisdiction of the City and was maintained by the Regional Parks and Recreation Agency of the Mid-Willamette Valley. In 1962, a hurricane devastated the stands of stately conifers which had been planted in the park before the turn of the century. The City undertook initial rehabilitation, but within a few years, Willson Park was deeded to the State to be maintained as a part of the Capitol grounds. Thus, by 1965, the extent of the Capitol grounds between Waverly Street on the east and Cottage Street on the west was eleven acres.

Willson Park was, of necessity, comprehensively re-landscaped following the memorable Columbus Day storm. The cylindrical Waite Fountain, a memorial to Salem printer and publisher, E. M. Waite, had been a central feature on the east-west axis of government buildings since 1912. It was replaced by a low, geometrically-shaped fountain of concrete. New paved walks were laid out in curvilinear plan, and a plaza of aggregate was developed at the west end fronting Cottage Street. Recently an octagonal bandstand was placed to the south of the central concourse. At slightly enlarged scale, it duplicates in spirit the more diminutive civic bandstand which was in use since before the turn of the century at various locations in the park. The civic bandstand had been removed in the course of constructing the new Capitol to open up the west approach. ⁴⁴ The ornamental trees and shrubery introduced to Willson Park over twenty years

United States Department of the Interior
National Park Service

National Register of Historic Places Continuation Sheet

Section number 8 Page 37

ago are now mature enough to have combined well with the few remaining early-day conifer plantings. Still, the general quality of the park today is one of openness and light. The only historic object remaining in Willson Park is a remnant of the Breyman Fountain situated at the curb line of Cottage Street, where it was placed in 1904, squarely centered on the axis which led to the west front of the old Statehouse.

The cast iron fountain was a gift to the city from Salem mercantilist Werner Breyman. That it honored Oregon pioneers was more evident before the loss of its elaborate lamp standard, which was embellished with bison heads, American eagles and a statuette of a male "pioneer" bearing a musket--all universal iconography of the westward movement. The entire structure rose to a height of 15 feet. The mass-produced pioneer figure shading his gaze with an up-raised hand had been a popular ornament for memorial fountains elsewhere in the West in the early years of the 20th Century.

A denser canopy of conifers spreads over the east Capitol grounds, which was less affected by the Columbus Day storm of 1962. The distinguishing feature of East Park is its central walk, extending from the Capitol's east entrance to Waverly Street on axis with the west front of the old State Agriculture Building, located on the east side of 12th Street. The Agriculture Building of 1929, more recently occupied by the State Department of Commerce, had been purposely related to the Capitol by means of a view corridor, or alleyway between the Supreme Court Building (1913) and State Office Building (1930), now known as the Justice Building. Portland architect William C. Knighton designed each of the buildings, the latter two while principal of the firm Knighton and Howell.

The focal point of East Park is a monumental equestrian statue in bronze on a high granite podium. It occupies a central plaza, or widening in the axial walk. "The Circuit Rider" was commissioned by Robert A. Booth, prominent Eugene businessman and early Oregon State Highway Commissioner, as a memorial to his father, a Methodist Episcopal minister who died in 1917. On its completion in 1923, it was placed at the west front of the old Statehouse, close to State Street on the south side, but it was relocated in the course of constructing the new Capitol. Booth engaged the

TABLE 230-3. OREGON STATE CAPITOL		
Zone	Resource	Significant Features
1	Capitol Building and adjacent wings	<ul style="list-style-type: none"> ■ Rotunda. ■ Gold Oregon Pioneer Statue. ■ Cast bronze Bas-Reliefs.
	Additions	
2	Oregon Migration Relief Sculpture	<ul style="list-style-type: none"> ■ Figures of Pioneers and a Covered Wagon. ■ Map of Oregon Trail.
	Lewis & Clark Relief Sculpture	<ul style="list-style-type: none"> ■ Figures of Lewis, Clark and Sacagawea. ■ Map of Expedition
3	Willson Park	<ul style="list-style-type: none"> ■ Breyman Fountain. ■ Waite Fountain. ■ Walk of Flags. ■ Liberty Bell Replica. ■ Gazebo. ■ Parade of Animals Sculpture. ■ Douglas-Fir tree grown from seed that rode aboard Apollo 14. ■ Capitol Beaver Family Sculpture.
4	Capitol (East) Park	<ul style="list-style-type: none"> ■ Circuit Rider Statue. ■ John McLoughlin Statue. ■ Jason Lee Statue. ■ Corinthian Columns remaining from Second Capitol. ■ Memorial to Oregon Recipients of Congressional Medal of Honor.

TABLE 230-3. OREGON STATE CAPITOL

Zone	Resource	Significant Features
5	North Plaza, Sunken Terrace	<ul style="list-style-type: none">■ Sprague Fountain.■ Wall of Water Fountain.

Oregon State Capitol National Register Boundary

